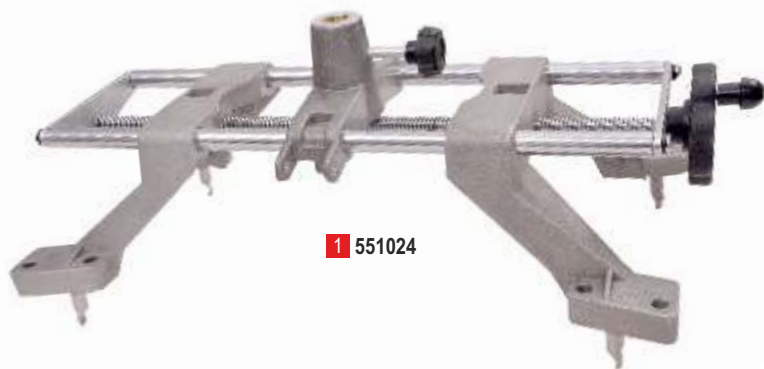


WHEEL ALIGNMENT ACCESSORIES



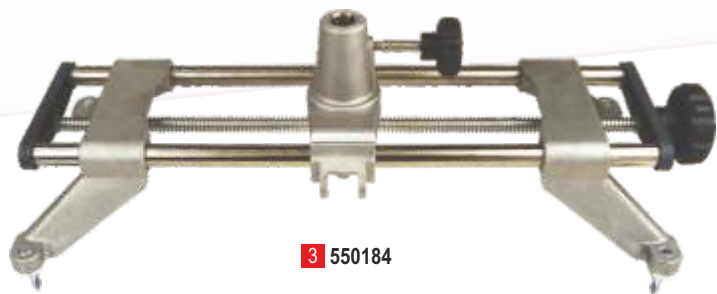
WHEEL ALIGNMENT ACCESSORIES



1 551024



2 5521024



3 550184



4 550244



5 550127



5 550137



5 550187



5 550197



5 550227



5 550257

1 Clamp for Measuring Head of Wheel Alignment M/c Four Point with PUSH TYPE Fingers (claws) Code No. : 551024
Size : For Rim Size 12" to 24" (Passenger car/Truck / Buses)
Bore Size: Available in bore sizes 15mm, 16mm, 20mm.
Weight : 3.500kg
Packing: Packed in pair in thermocol box to prevent damage in transit.

2 Clamp for Measuring Head of Wheel Alignment M/c Four Point with THREADED Fingers (claws) Code No. : 5521024
Size : For Rim Size 12" to 24" (Passenger/Truck / Buses)
Bore Size: Available in bore sizes 15mm, 16mm, 20mm.
Weight : 3.500kg
Packing: Packed in pair in thermocol box to prevent damage in transit.

3 Clamp for Measuring Head of Wheel Alignment M/c Four Point Code No. : 550184
Size : For Rim Size 10" to 20" (Passenger Car)
Bore Size: Available in bore sizes 15mm, 16mm, 20mm.
Weight : 3.000kg
Packing: Packed in pair in thermocol box to prevent damage in transit.

4 Clamp for Measuring Head of Wheel Alignment M/c Four Point Code No. : 550244
Size : For Rim Size 12" to 24" (Truck / Buses etc.)
Bore Size: Available in bore sizes 15mm, 16mm, 20mm.
Weight : 3.500kg
Packing: Packed in pair in thermocol box to prevent damage in transit.

5 Finger Tools for Wheel Clamps
Use : Set of 4 metal Jaws suitable for steel & alloy rims

Length	Dia	Weight	CodeNo.
45mm	12 mm	30gms	550127
45mm	12 mm	35gms	550137
45mm	14 mm	33gms	550187
87mm	12 mm	70gms	550197
48mm	15 mm	30gms	550227
70mm	12 mm	45gms	550257
45mm	10 mm	36gms	550218
47mm	15 mm	35gms	550228
70mm	15mm	70gms	550328

Material : Made from Stainless Steel & Carbon Steel.



5 550218



5 550228



5 550328



sarv

www.sarveshwari.com



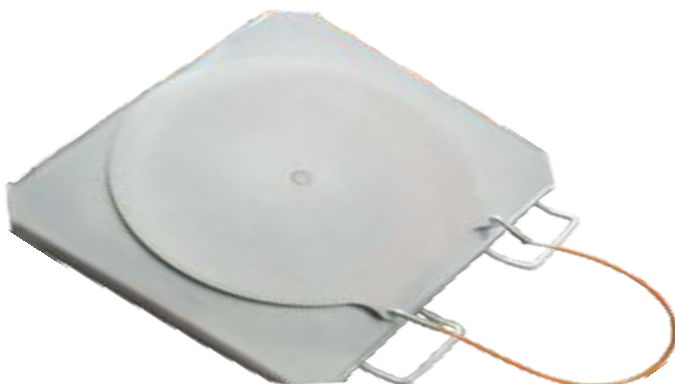
6 1100017



7 1100117



8 1100817



9 1100917

6 Mechanical Turn Table **Code No. : 1100017**
Use : Used for easy turning of tyre left/ right during alignment of the passenger car.
Material : Made from heavy duty steel sheet. Black powder coated to prevent rusting.
Size : 420mm x 430mm x 60mm
Capacity : 1000 kg each
Dia. : 270mm **Weight** : 9.200kg

7 Mechanical Turn Table with Scale **Code No. :1100117**
Use : Used for easy turning of tyre left/ right during alignment of the passenger car.
Material : Made from heavy duty steel sheet.
Size : 360mm x 430mm x 50mm
Capacity : 1000kg each having scale of $\pm 0^{\circ}$ -60°
Dia. : 310mm **Weight** : 9.100kg

8 Mechanical Turn Table with Scale **Code No. :1100817**
Use : Used for easy turning of tyre left/ right during alignment of the passenger car.
Material : Made from heavy duty steel sheet. Electroplated to prevent rusting.
Size : 380mm x 480mm x 50mm
Capacity : 1500kg each having scale of $\pm 0^{\circ}$ -60°
Dia. : 350mm **Weight** : 15.000kg

9 Mechanical Turn Table **Code No. :1100917**
Use : Used with 3D Wheel Alignment Machines for easy turning of tyre left/ right .
Material : Special Steel
Size : 470mm x 40mm x 50mm
Capacity : 1500 kg each
Dia. : 360mm **Weight** : 23.000kg

10 Mechanical Turn Table (Heavy Duty) **Code No. :1100217**
Use : Used for easy turning of tyre left/ right during alignment of light commercial vehicles.
Material : Special Steel
Size : 470mm x 360mm x 60mm
Capacity : 2500 kg each
Dia. : 320mm **Weight** : 23.000kg



10 1100217





11 1100317

11 Turn Table for Truck / Buses with Scale Code No. : 1100317

Use : Used for easy turning of tyre left/ right during alignment of truck / Buses.

Material : Made from cold roll (CRC) steel sheet.

Size : 480mm X 480mm X70mm

Capacity : 7000 Kg each having scale of 0° - 60° and ±30°

Dia : 480 mm **Weight** : 45.000kg

12 Mechanical Turn Table Code No. :1100717

Use : Used for easy turning of tyre left/ right during alignment of light commercial vehicles.

Material : Special Steel

Size : 470mm x 410mm x 60mm

Capacity : 2500 Kg each

Dia : 320mm **Weight** : 23.000kg

13 Rear Wheel Alignment Slip Plate Code No. : 1130017

Use : Used for aligning the rear wheel of passenger cars.

Material : Sheet Metal.

Size : 350mmx340mmx50mm **Weight** : 9.000kg

14 Rear Wheel Alignment Slip Plate Code No. : 1168017

Use : Used for aligning the rear wheel of passenger cars.

Material : Sheet Metal.

Size : 1680mm Long **Weight** : 100.000kg



12 1100717



13 1130017



14 1168017



WHEEL ALIGNMENT ACCESSORIES



15 550204



15 550004



15 550604



15 550804



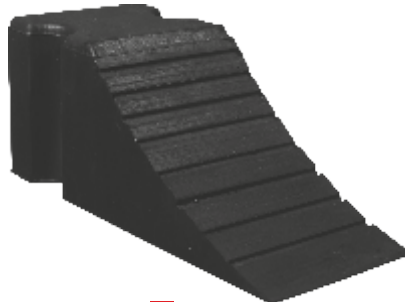
16 554004



16 555004



17 552004



18 553004



19 111184



19 111384



20 112184



20 112284

15 Rubber Pad for Passenger Car Lift

Size	L x B x H	Weight	Code No.
	160mm x 120mm x 20mm	550gms	550204
	160mm x 120mm x 40mm	845gms	550004
	160mm x 120mm x 60mm	1.600kg	550604
	160mm x 120mm x 80mm	1.700kg	550804

Use : Used at the time of lift of vehicle for Wheel alignment and repairs. Durable & long lasting.

16 Round Rubber Pad for Lifts

Weight	Code No.
235gms	554004
240gms	555004

Use : Used at the time of lift of vehicle for Wheel alignment and repairs. Durable & and long lasting.

17 Rubber Pad for Passenger Car Jack

Size	L x B x H	Weight	Code No.
	109mm x 109mm x 17mm	150gms	552004

Use : Used at the time of lift of vehicle for Wheel alignment and repairs. Durable & and long lasting.

18 Rubber Wheel Chock

Size	L x B x H	Weight	Code No.
	220mm x 95mm x 90mm	1.350kg	553004

Use : Ribbed Rubber Wheel Chock allows for ease of placement and drop-kick safety.

19 Brake Pedal Depressor

Weight	Code No.
900gms	111184
915gms	111384

Use : Depresses brake while doing alignments. All metal parts are electroplated.

20 Steering Wheel Holder

Weight	Code No.
1.210kg	112184
675gms	112284

Use : It securely holds the steering wheel and is covered with soft plastic to prevent damage to the steering wheel.



sarv®

www.sarveshwari.com