

TYRE SERVICE TOOLS



TYRE SERVICE TOOLS



1 220067



2 220077



2 220087



3 2224276



3 2227336



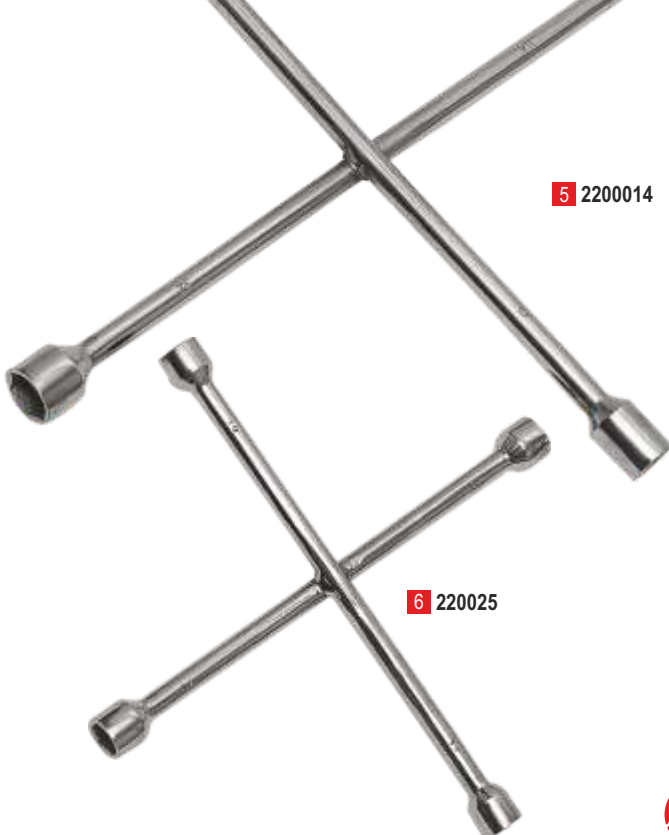
3 2230336



4 2200226



5 2200014



6 220025

1 Chrome Lug Nut Cover Puller (Heavy Duty) Code No.

220067

Use : A specialized tool to remove the caps from truck wheels.

Material : Special Steel **Finish** : Black

Size : 285 mm long **Weight** : 500gms

2 Screw Driver Handle with Hex Code No.

Size	Weight	
7mm Hex	75gms	220077

7mm Hex	60gms	220087
---------	-------	---------------

3 Double Ended Wheel Wrench for Trucks Code No.

Size	Length	Weight	Code No.
24 X 27	400mm	2.200kg	2224276
27 X 32	400mm	2.200kg	2227326
30 X 32	400mm	2.310kg	2230326
24 X 33	400mm	2.250kg	2224336
27 X 30	400mm	2.200kg	2227306
27 X 33	400mm	2.200kg	2227336
30 X 33	400mm	2.300kg	2230336
21 X 41	400mm	2.300kg	2221416

4 Use : Loosening & tightening of truck wheel nuts.

Material : Chrome vanadium/carbon steel.

Finish : Bright nickel chrome plating/black powder coating.

Tommy Bar Code No. : 2200226

Size : 500mm long **Weight** : 1.250 kg

Dia. : 20mm

5 Use : Truck Wrench handle heat-treated for strength and durability for all SARV Truck wrenches.

Material : Chrome vanadium steel.

Four way Wheel Nut Wrench for Trucks Code No.

Size	Length	Weight	Code No.
24X27X32X3/4" square	570mm	3.000kg	2200014

Material : Chrome vanadium/Carbon steel.

Finish : Bright nickel chrome plating.

Four way Wheel Nut Wrench for Passenger Cars Code No.

Size	Length	Weight	Code No.
17X19X21X22	400mm	1.415kg	220025
17X19X22X1/2" square	400mm	1.420kg	220035

Use : Loosening & tightening of passenger car wheel nuts.

Material : Chrome vanadium steel 31Cr V3/carbon steel with welded centres to achieve the desired strength.

Finish : Bright nickel chrome plating/black powder coating/paint finish.



6 220035



sarv

www.sarveshwari.com

TYRE SERVICE TOOLS



7 222001



8 223001



9 224001



10 220001



11 220002



12 220002S



13 225001



14 225101



15 220008



16 226001



17 220003



18 2200012



19 220274



20 220284

7 Tyre Lever 200 mm Code No. : 222001

Use : Used for Motor cycle / Scooter Tyre Service

Material : Drop forged chrome vanadium steel/ special spring steel, hardened & tempered.

Weight : 240gms

Finish : Sand blasted surface with nickel chrome plating

8 Tyre Lever 300mm Weight : 385gms Code No. : 223001

9 Tyre Lever 400mm Weight : 630gms Code No. : 224001

10 Tyre Lever 500mm (with boot) Code No. : 220001

Use : For changing tyres from Aluminium / Alloy rims. Lever ends are specially covered with plastic boots for the protection of light metal rims.

Material: Drop forged chrome vanadium steel/ special spring steel, hardened & tempered.

Finish : Sand blasted surface with nickel chrome plating.

Weight : 800gms

11 Tyre Lever 500mm Weight : 785gms Code No. : 220002

12 Tyre Lever 500mm Weight : 815gms Code No. : 220002S

13 Tyre Lever 500mm Code No. : 225001

Use : Used for Automatic Tyre changing machine having thin cross section thickness of 7mm.

Weight : 640gms

Finish : Sand blasted surface with nickel chrome plating.

14 Tyre Lever 500mm Code No. : 225101

Use : Used for Automatic Tyre changing machine having both ends curved.

Finish : Sand blasted surface with nickel chrome plating.

Weight : 800gms

15 Tyre Lever 600mm Weight : 930gms Code No. : 220008

16 Run Flat Lever 600mm Weight : 865gms Code No. : 226001

17 Truck Tyre Lever with Crank End Code No. : 220003

Use : Working on LCV, trucks and large wheels, this tyre lever is extra heavy duty with crank end.

Material : Forged chrome vanadium steel/special spring steel, hardened & tempered.

Size : 610mm/24" Weight : 1.360kg

Finish : Sand blasted surface with nickel chrome plating.

18 Lever for Removal of Locking Rings Code No. : 2200012

Material : CV steel/carbon steel.

Size : 470mm Weight : 720gms

19 Rim Straightener Lever Code No. : 220274

Use : Used for Repairing of deformation on the rim flange.

Material : Special Steel

Size : 390mm Weight : 500gms

Finish : Sand blasted surface with nickel chrome plating.

20 Tubeless Truck Tyre Lever with Hook Code No. : 220284

Use : Used for mounting on wide base rims.

Material : Chrome Vanadium Steel

Size : 675mm Weight : 1.550kg

Finish : Sand blasted surface with nickel chrome plating.



sarv

www.sarveshwari.com

TYRE SERVICE TOOLS



- 21 Tubeless Truck Tyre Lever** **Code No.: 220004**
Use : Tubeless truck tyre mounted on 15° drop-centre rims.
Material : Forged chrome vanadium steel/special spring steel. Auto Black
Size : 800mm **Weight** : 1.950kg
-
- 22 Lever for Lug base and Earthmover Tyres** **Code No. : 220244**
 mounted on Drop-Centre Rims
Size : 940mm **Weight** : 2.180kg
-
- 23 Lever for big size Tubeless Truck Tyre & Tractor** **Code No. : 220184**
 Tyres mounted on Drop-Centre Rims
Size : 760mm **Weight** : 1.630kg
-
- 24 Lever for small size Tubeless Truck Tyres / Tractor Tyres**
 mounted on Drop-Centre Rims **Code No. : 220174**
Size : 530mm **Weight** : 1.050kg
-
- 25 Lever for Earthmover Tyres** **Code No. : 220234**
Size : 965mm **Weight** : 2.780kg
-
- 26 Lever for Tube and Tubeless Truck Tyres** **Code No. : 220194**
 and mounted on flat Rims
Size : 460mm **Weight** : 1.050kg
-
- 27 Lever for Tube and Tubeless Truck Tyres** **Code No. : 220214**
 and mounted on flat Rims
Size : 420mm **Weight** : 810gms
-
- 28 Special Lever for Motorcycle Tyres** **Code No. : 220154**
Size : 390mm **Weight** : 540gms
-
- 29 Lever for Tubeless Tyres of all Passenger Cars** **Code No. : 220164**
Size : 390mm **Weight** : 565gms
-
- 30 Lever for Truck, Tractor / OTR Tyres** **Code No. : 220224**
Size : 1400mm **Weight** : 11.300kg
-
- 31 Special Lever for Mercedes Car** **Code No. : 220254**
Use : A special tyre lever used for the Mercedes car.
Size : 560mm **Weight** : 1.470kg
-
- 32 Wheel Flange Loosener** **Code No. : 220204**
Use : Used for loosening rusted truck and bus beads. Speeds up truck tyre repair work and saves labour and time.
Size : 300mm **Weight** : 2.060kg **Dia.** : 32mm
-
- 33 Wheel Flange Loosener with Plastic Hand Protection** **Code No. : 2202045**
Use : Used to loosen rusted truck and bus beads. Speeds up truck tyre repair work. Easy to handle
Size : 330mm x 93mm **Weight** : 1.850kg
Material : Steel
-
- 34 Wheel Cover Puller/Replacer**

Length	Weight	CodeNo.
350mm	610gms	220011
452mm	820gms	220211

Use : Removes wheel covers quickly and easily without damaging or scratching them. Rubber head prevents damage to the hub cap and is replaceable.
-
- 35 Rubber Mallet**

Length	Weight	CodeNo.
420mm	480gms	220420
300mm	1.200kg	220430

Use : Rubber Head Mallet prevents damage to the rim surface.



sarv

www.sarveshwari.com

TYRE SERVICE TOOLS



36 220014



36 220024



37 220034



38 220044



39 220054



40 220064



41 220074



42 220084



43 220094



44 220104



45 220114



46 220144



47 220124



48 220134



49 220264

36 Tyre Mount/Demount Spoon

Size	Type	Weight	Code No.
760mm	Curved	1.470kg	220014
760mm	Straight	1.475kg	220024

Use : Designed for easy and fast tyre changing. Used to provide good strength and leverage to work with large trucks, buses, off road vehicles, tractors and air craft tyres.

37 Tyre Mount/Demount Iron for Small Tyres Code No. : 220034

Use : Used in pair to mount/demount small passenger, industrial, ATV and motorcycle tyres.

Size : 420mm **Weight** : 750gms

38 Truck Lock Ring Remover Code No. :220044

Use : Used for small diameter wheels.

Size : 610mm **Weight** : 1.140kg

39 Tyre Mount/Demount Spoon Drop Center Code No. : 220054

Use : Used to mount/demount passenger car, motorcycle, ATV and light truck tyres.

Size : 460mm **Weight** : 890gms

40 Combination Rim/Ring Tool Code No. : 220064

Use : Flat tapered end is good for all around ring and rim work.

Size : 600mm **Weight** : 1.110kg

41 Truck Lock Ring Remover Code No. : 220074

Use : Used for small diameter rims.

Size : 760mm **Weight** : 1.450kg

42 Rim Lock Tool Code No. : 220084

Use : Used for servicing wide base rim.

Size : 460mm **Weight** : 810gms

43 Swan Neck Leverage Bar Code No. : 220094

Use : Used to remove frozen or rusted beads from all types of truck /farm /OTR rims.

Size : 760mm **Weight** : 2.400kg

44 Tubeless Tyre Straight Mount/Demount Iron Code No. :220104

Use : Used for a variety of tyre changing applications.

Length : 910mm **Weight** : 2.000kg

45 Tubeless Truck Tyre Mount/Demount Iron Code No. : 220114

Size : 950mm **Weight** : 2.300kg

46 Heavy Duty Tubeless Tyre Iron Code No. : 220144

Size : 1330mm **Weight** : 5.250kg

47 Impact Bead Breaker Code No. : 220124

Size : 1170mm - 1830mm **Weight** : 6.500kg

48 Impact Bead Breaker Code No. : 220134

Size : 1270mm - 2030mm **Weight** : 10.500kg

49 Heavy Duty Lock Ring Tool Code No. : 220264

Use : Used for multi piece wheels especially hub type.

Size : 900mm **Weight** : 1.900kg **Dia.** : 19mm



sarv[®]

www.sarveshwari.com

TYRE SERVICE TOOLS



50 2200117



51 2200217



52 2200517



53 2200317



54 2200417



55 2201017



56 550005



57 224030



58 224127



59 224232

50 Tyre Tread Depth Gauge (Plastic) Code No. : 2200117

Use : Calibrated in mm. Good for passenger car tyre. Used for measuring tread depth.

Size : 0-30mm **Weight** : 11gms **Material** : PC

51 Tyre Tread Depth Gauge (Stainless Steel) Code No. : 2200217

Use : Calibrated in mm. Good for passenger car tyre. Used for measuring tread depth.

Size : 0 - 50mm **Weight** : 30gms

52 Tyre Tread Depth Gauge (Stainless Steel) Code No. : 2200517

Use : Calibrated in mm. Good for Truck tyre. Used for measuring tread depth.

Size : 0 - 90mm **Weight** : 85gms

53 OTR Tread Depth Gauge (Aluminum) Code No. : 2200317

Use : Stainless steel earthmover tyre tread depth gauge with case and easy readability due to Glass lens.

Size : 0 -145mm **Weight** : 170gms

54 OTR Tread Depth Gauge (Plastic) Code No. : 2200417

Use : Plastic earthmover tyre tread depth gauge with case

Size : 0 -192mm / 0-160mm **Weight** : 100gms **Material** : Nylon

55 Tyre Depth Gauge (ABS Plastic) Code No. : 2201017

Size : 0 -30mm **Weight** : 10 gms

56 Tool to Cancel Tyre Tread Code No. : 550005

Material : Blades are made from special steel.

Weight : 110gms

57 Loose Wheel Nut Check Connector

Size	Weight	Code No.
30mm	16 gms	224030
32mm	16 gms	224032
33mm	16 gms	224033

Use : Links the wheel nuts and prevents loose wheel nuts from being protected away from the Wheel bolt. However the tightening torques always have to be checked regularly.

Material: Durable Plastic **Colour**: Green, Red, Yellow & Pink.

58 Loose Wheel Nut Indicator

Size	Weight	Code No.
27mm	2 gms	224127
30mm	2 gms	224130
32mm	2 gms	224132
33mm	2 gms	224133

Use: It makes it possible to correctly check vehicles for loose Wheel nuts during the inspection rounds.

Material: Durable Plastic **Colour**: Green, Red, Yellow & Pink.

59 Dust Cap & Loose Wheel Nut Indicator

Size	Weight	Code No.
32mm	17gms	224232
33mm	17gms	224233

Use: It is mounted on wheel nuts through the access holes in the trim so that indicating pointers can be aligned on outer surface of trim and be visible all the time.

Material: Durable Plastic **Colour**: Green, Red, Yellow & Pink.



sarv

www.sarveshwari.com

TYRE SERVICE TOOLS



60 224222



60 224222R



61 224224

62 220403



220402



220134



220004



220004



220184



63 220503



220502



220314



220414



220500



220134



60 Pump Ring Rigid for Truck

Size : 22.5"

Weight : 11.000 kg

Code.: 224222

Rubber Ring for Pump Ring Rigid

Weight : 3.500 kg Code No.: 224222R

61 Pump Ring Flexible for Truck Rim

Size : 22.5" to 24.5"

Weight : 1.500 kg

Code No.: 224224

Use : Used for sealing the tyre beads of the rims.

62 Tubeless Tyre Mount/Demount Tool Kit

Code No. : 220403

Packed in master carton with Weight : 33.000kg

The kit contains the following items :

	Weight	Code No.
Tyre Lever	2 No. 1.950 kg	220004
Tyre Lever	1 No. 1.630 kg	220184
Impact Bead Breaker	1 No. 10.500 kg	220134
Bead Holding Tool	1 No. 350 gms	220400
Tyre Grease	1 No. 1.000 kg	2200120
Brush for Truck Tyre	1 No. 150 gms	220415
Valve Core & Cap Screw Driver	1 No. 100 gms	3300111
Wooden Block	1 No. 4.500 kg	220401
Wooden Box	1 No. 8.500 kg	220402



2200120



220401



220400



3300111



220415

63 Mount/Demount Tool Kit for Duplex Tyres

Code No. : 220503

Packed in master carton with Weight : 41.650 kg

Use : Mounts all type of tubeless tyres 17.5" to 24.5". Dismounts tyre in 8 seconds and remounts in 20 seconds. Works on standard and super single duplex tyres.

The kit contains the following items :

	Weight	Code No.
Impact Bead Breaker	1 No. 10.500 kg	220134
Mounting Lever	1 No. 6.500 kg	220314
Mounting Lever	1 No. 2.600 kg	220414
Tyre Grease	1 No. 1.000 kg	2200120
Brush for Truck Tyre	1 No. 150 gms	220415
Bead Holder	1 No. 770 gms	220500
Wooden Box	1 No. 14.000 kg	220502



2200120



220415



sarv

www.sarveshwari.com